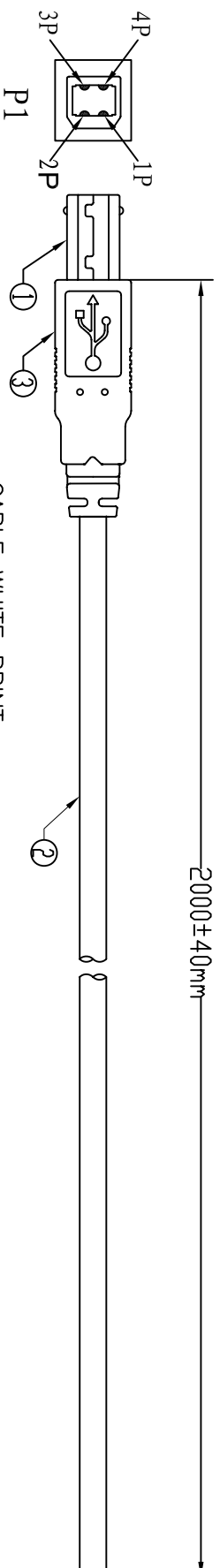


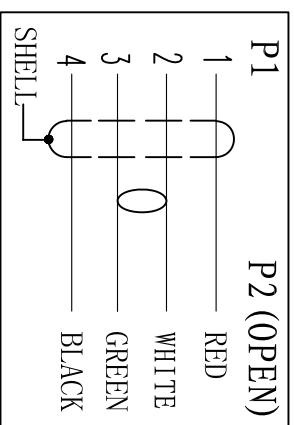
UNIT:mm



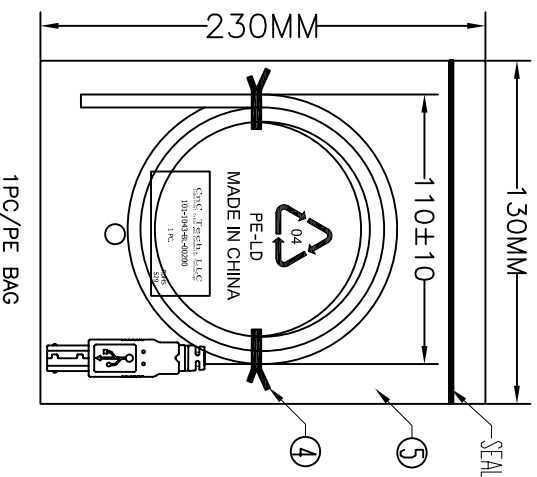
CABLE WHITE PRINT

USB CABLE E189529 AWG 2725 VW-1 30V 80°C 28AWG/1PR AND 28AWG/2C

PIN ASSIGNMENT:



Electrical test:
 1. 100% short, open, miswire test
 2. Conduct resistance: 2 Ohm(max)
 3. Insulation resistance: 5Mohm(min)
 4. dielectric test: DC 300V



1PC/PE BAG

⑥	PE BAG	1/10	CLEAR SIZE:280*330*0.05mm PRINT BLACK"MADE IN CHINA"+"10PCS"印生产周期,有透气孔.
⑤	PE BAG	1	CLEAR SIZE:130*230*0.05mm PRINT BLACK"MADE IN CHINA"+"1PC"印生产周期,有透气孔.
④	TIE	2	BLACK L=100mm
③	OUT JACKET	12g	BLACK PVC-40P (MOULD NO: WM-65)
②	CABLE	1	BLACK USB1.1 UL2725 28#/1P+28#/2C+AB OD:4.7mm L=2000±10
①	CONN	2set	USB B MALE SHELL: NICKEL PIN G/F 3PCS TYPE INSULATOR COLOR: WHITE
NO.	NAME	Q'TY	SPECIFICATION

CNC Tech, LLC
 Industrial Cable and Connector Technology

DRAWN	LICHENG	DRAWING NO	
CHECKED		CUSTOMER	
APPROVAL		ITEM NO.	101-1043-BL-00200
DECIDED		DATE	2012-11-23
VERSIONS/EDITION	A/0	PROJECTION	