

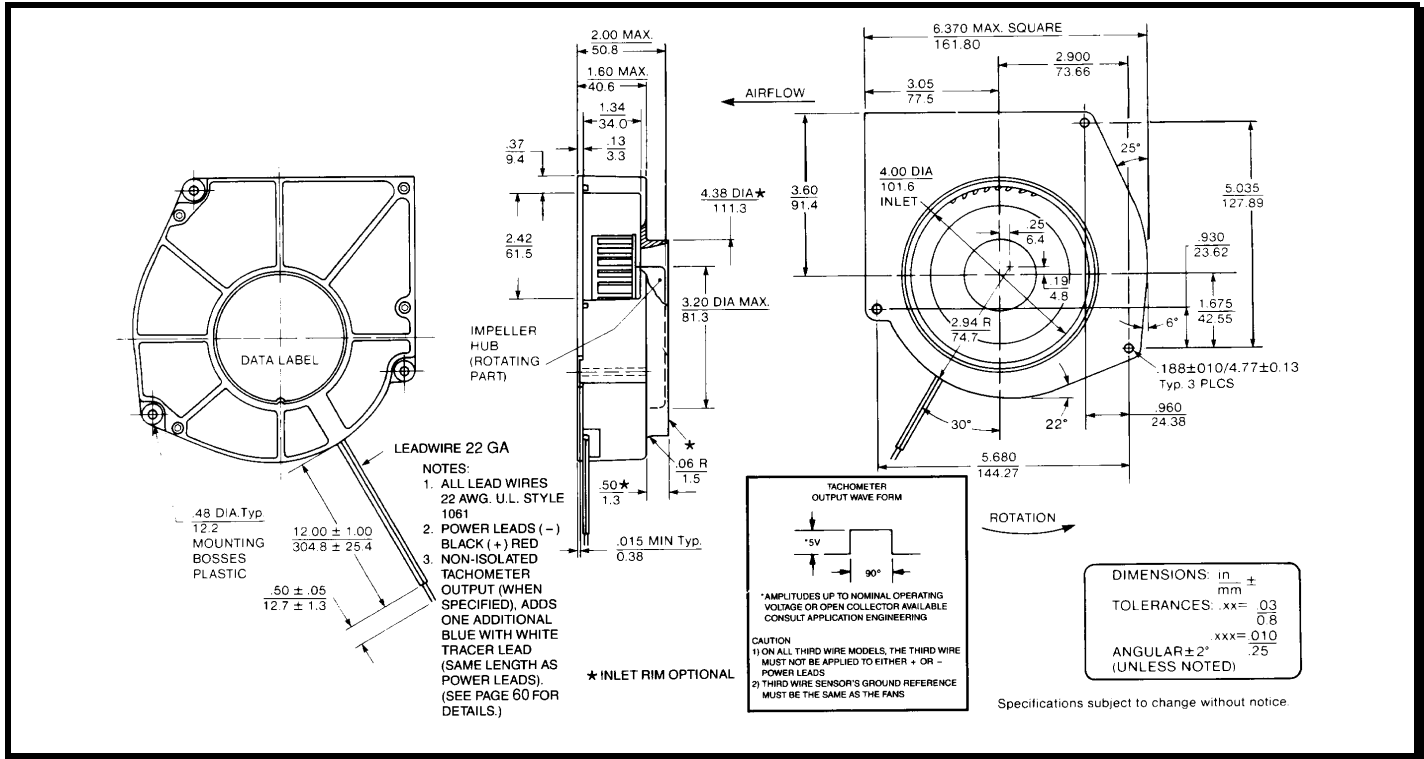
SPECIFICATIONS



Model Number: SPD24B1QDN
Part Number: 19032364A SPEC Number: 26014020A

November.23.2011

Mechanical Drawing:



Specifications:

Nominal Voltage	= 24 vdc
Operating Voltage Range	= 12 - 28 vdc
Nominal Running Current	= 1.250 amps
Locked Rotor Current	= 2.000 amps
Running Power	= 30.0 watts
Average Speed	= 2500 rpm
Bearings	= Ball
Air Flow	= 60 CFM
Acoustic	= 57.0 dBA

Construction:

Backplate: Die-Cast Zinc Alloy
 Housing & Propeller: Plastic, Black, UL 94V-0

Life Expectancy:

This fan is designed for continuous duty life of 62,000 hours at 50°C.

Agency Approvals:

UL

Features:

Polarity Protected
 Brushless DC Motor Design
 Electronic Locked Rotor Protection
 Automatic Restart Capability
 Operating Temperature: -10°C to 70°C
 Storage Temperature: -40°C to 85°C

Fan Performance Sensor:

Output: Open Collector
 Ic 20mA mzx
 Vcc 28 vdc max
 Logic: High on pass/Low on fail
 Delay: 10 sec +/- 4
 Latching: No

Termination:

12" Lead wires, 22 AWG, UL 1061
 Fan power - Red
 Fan ground - Black
 FPS power - Red/White
 FPS ground - Black/White
 FPS signal - Blue/White