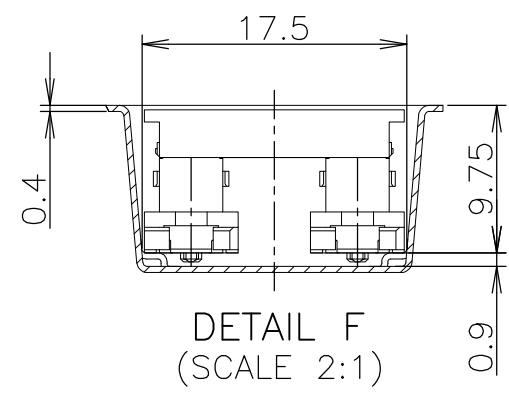
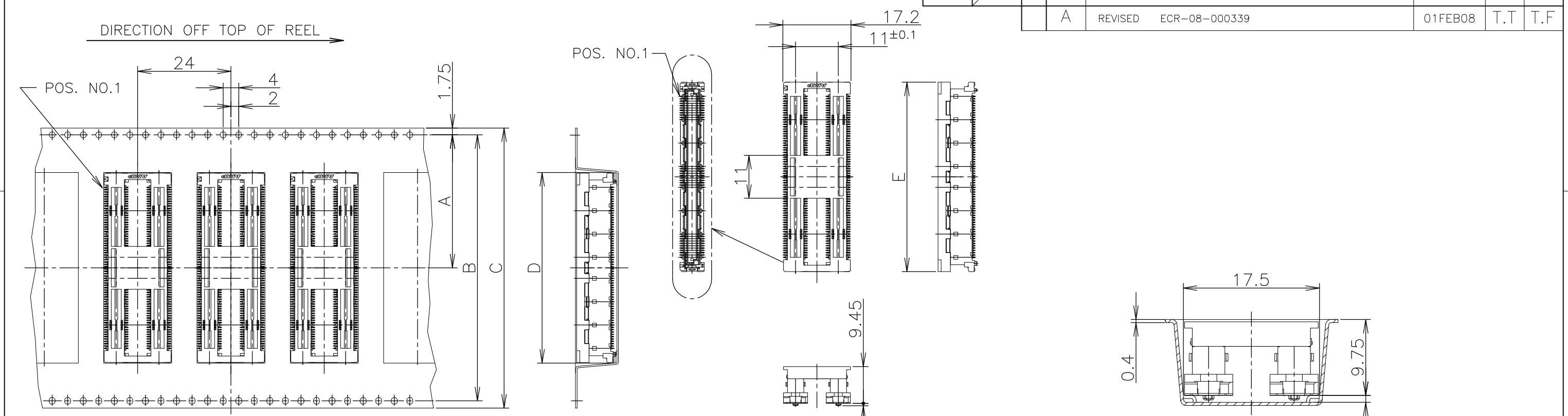


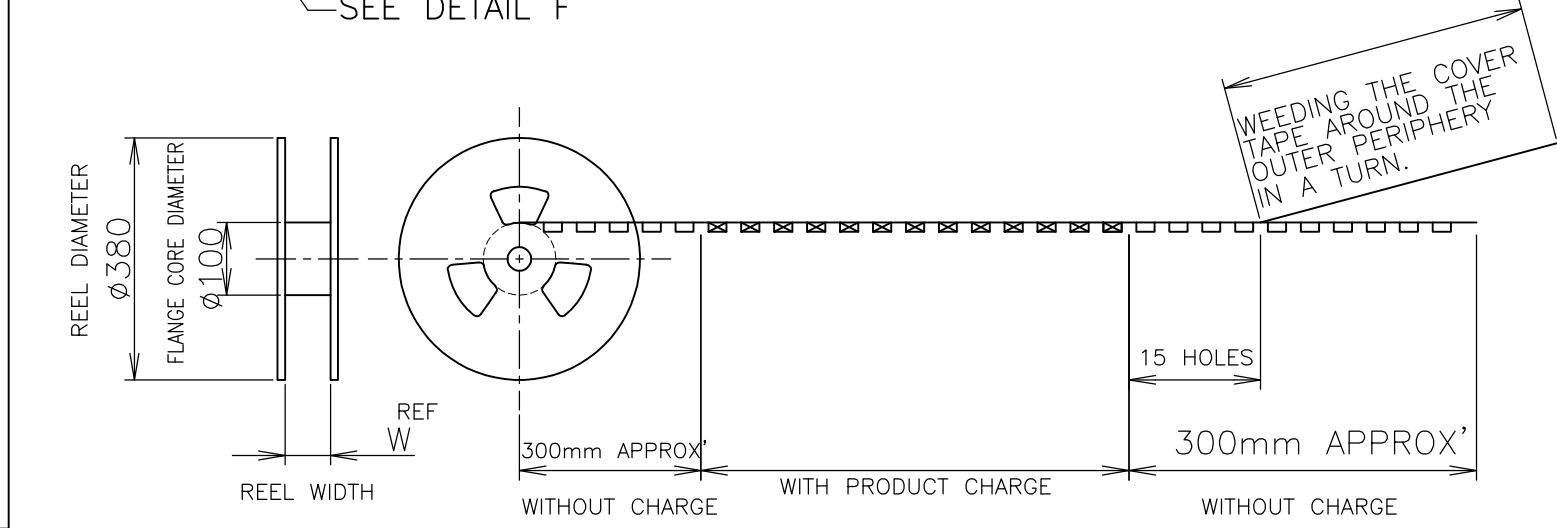
THIS DRAWING IS UNPUBLISHED. RELEASED FOR PUBLICATION JUN , 1996.  
 © COPYRIGHT 1996 BY TYCO ELECTRONICS CORPORATION. ALL RIGHTS RESERVED.

P	LTR	DESCRIPTION	DATE	DWN	APVD



CONNECTOR DETAIL

SEE DETAIL F



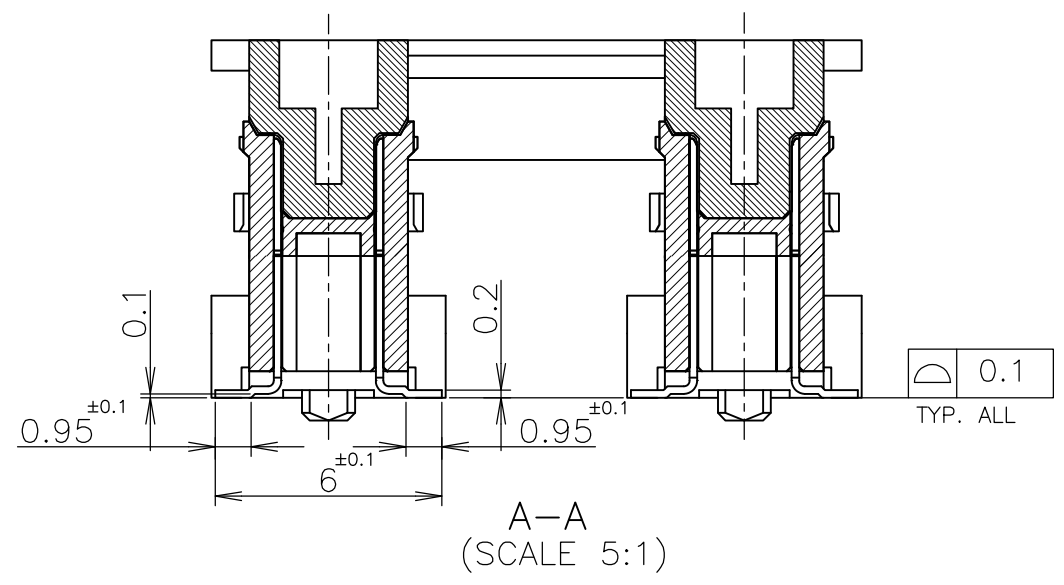
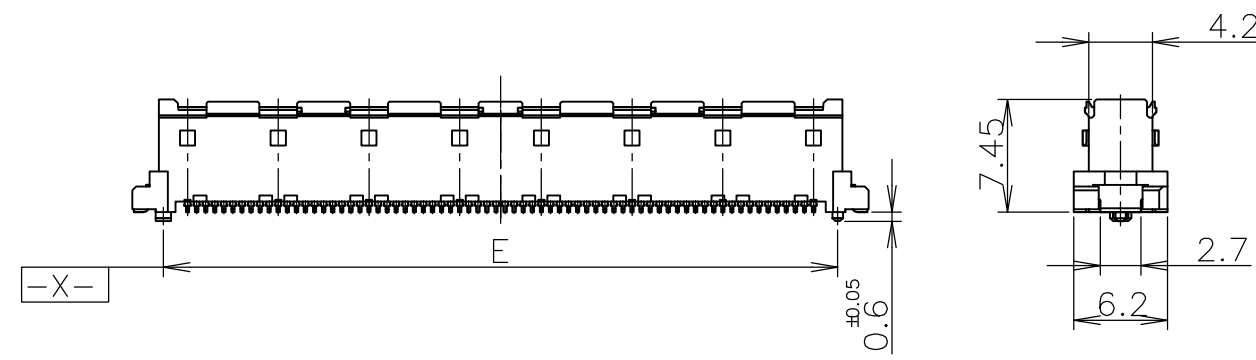
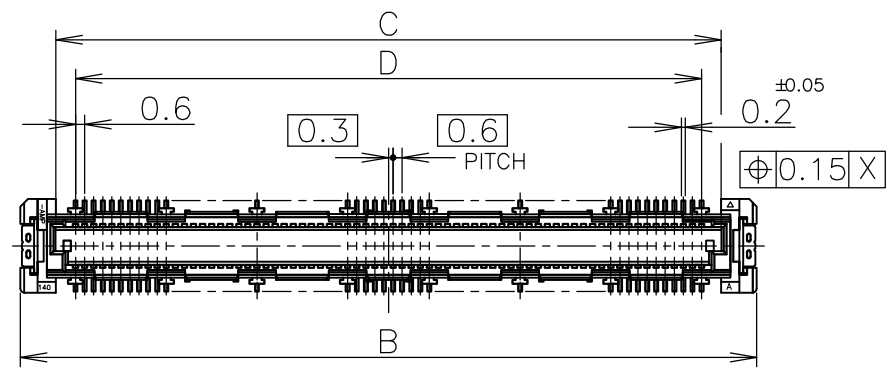
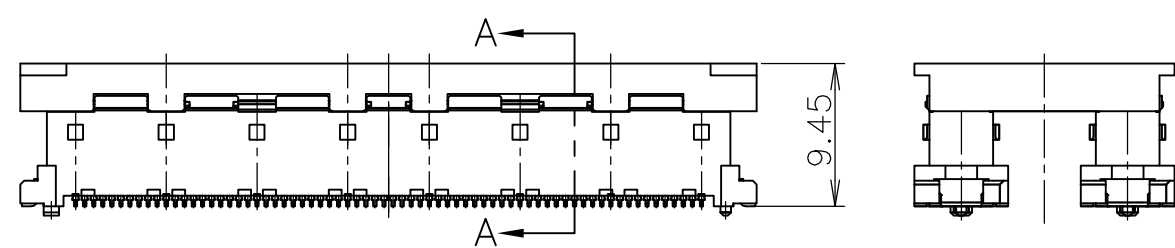
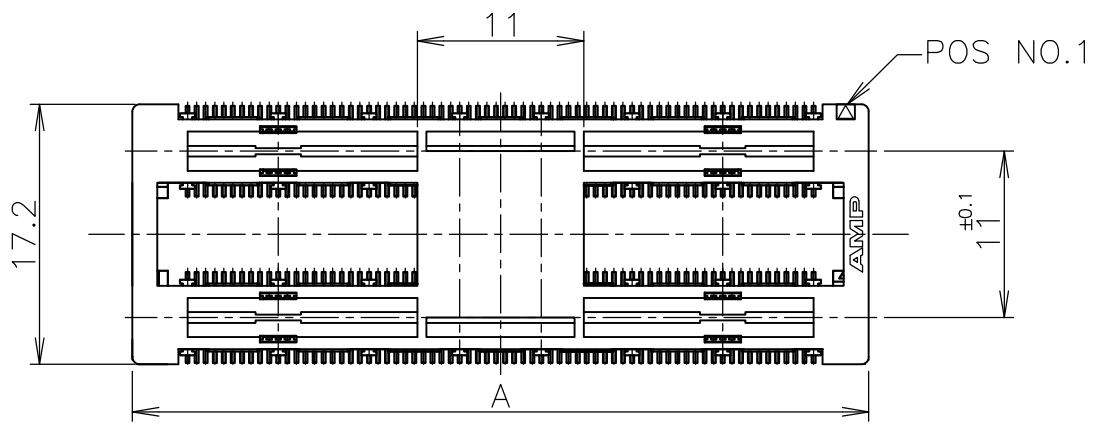
SEALANT	NOT AVAILABLE	300	77.5	54.7	55	72	68.4	34.2	320	6-5353135-1
	AVAILABLE	↑	77.5	48.7	49	72	68.4	34.2	280	6-↑-0
NON SEALANT	NOT AVAILABLE	↑	61.5	42.7	43	56	52.4	26.2	240	5-↑-9
	NOT AVAILABLE	300	61.5	36.7	37	56	52.4	26.2	200	5-5353135-8
NON SEALANT	NOT AVAILABLE	300	77.5	54.7	55	72	68.4	34.2	320	1-5353135-1
	AVAILABLE	↑	77.5	48.7	49	72	68.4	34.2	280	1-↑-0
NON SEALANT	NOT AVAILABLE	↑	61.5	42.7	43	56	52.4	26.2	240	↑-9
	AVAILABLE	300	61.5	36.7	37	56	52.4	26.2	200	5353135-8
SEALANT	TOOLING STATUS	QTY.	W	E	D	C	B	A	POS.	PART NO.

3 THIS PRODUCT WAS COATED BY FLUX-PENETRATION -INHIBITING AGENT.

THIS DRAWING IS A CONTROLLED DOCUMENT.		DWN HAWKING HE 20DEC04	Tyco Electronics Corporation Kawasaki, Japan		
DIMENSIONS: 单位: 耗 mm	TOLERANCES UNLESS OTHERWISE SPECIFIED: 一般公差	CHK STEVEN YAO 20DEC04	NAME 名称		
MATERIAL 材料	FINISH 仕上	APVD I.ENOMOTO 20DEC04	EMBOSS ASSY		
		PRODUCT SPEC 製品規格 108-60047	FH 0.6BTB CONNECTOR		
		APPLICATION SPEC 取付適用規格 114-5255	PLUG 8H 2ROW TYPE		
		WEIGHT	SIZE A3	CAGE CODE 00779	DRAWING NO 番号 G-5353135
CUSTOMER DRAWING			SCALE 尺度 1:1	SHEET 1 OF 3	REV A

THIS DRAWING IS UNPUBLISHED. RELEASED FOR PUBLICATION JUN, 1996.  
 © COPYRIGHT 1996 BY TYCO ELECTRONICS CORPORATION. ALL RIGHTS RESERVED.

LOC	DIST	REVISIONS			DATE	DWN	APVD
		P	LTR	DESCRIPTION			
J			-	SEE SHEET 1	-	-	-



- ① MATERIAL ; HOUSING : HIGH TEMP THERMO PLASTIC UL94V-0  
CONTACT : COPPER ALLOY
- ② FINISH ; UNDER PL Ni 0.0013mm MIN ALL OVER.  
CONTACTING AREA 0.0002 MIN Au PL.  
SOLDERING AREA 0.001 MIN TIN PL.

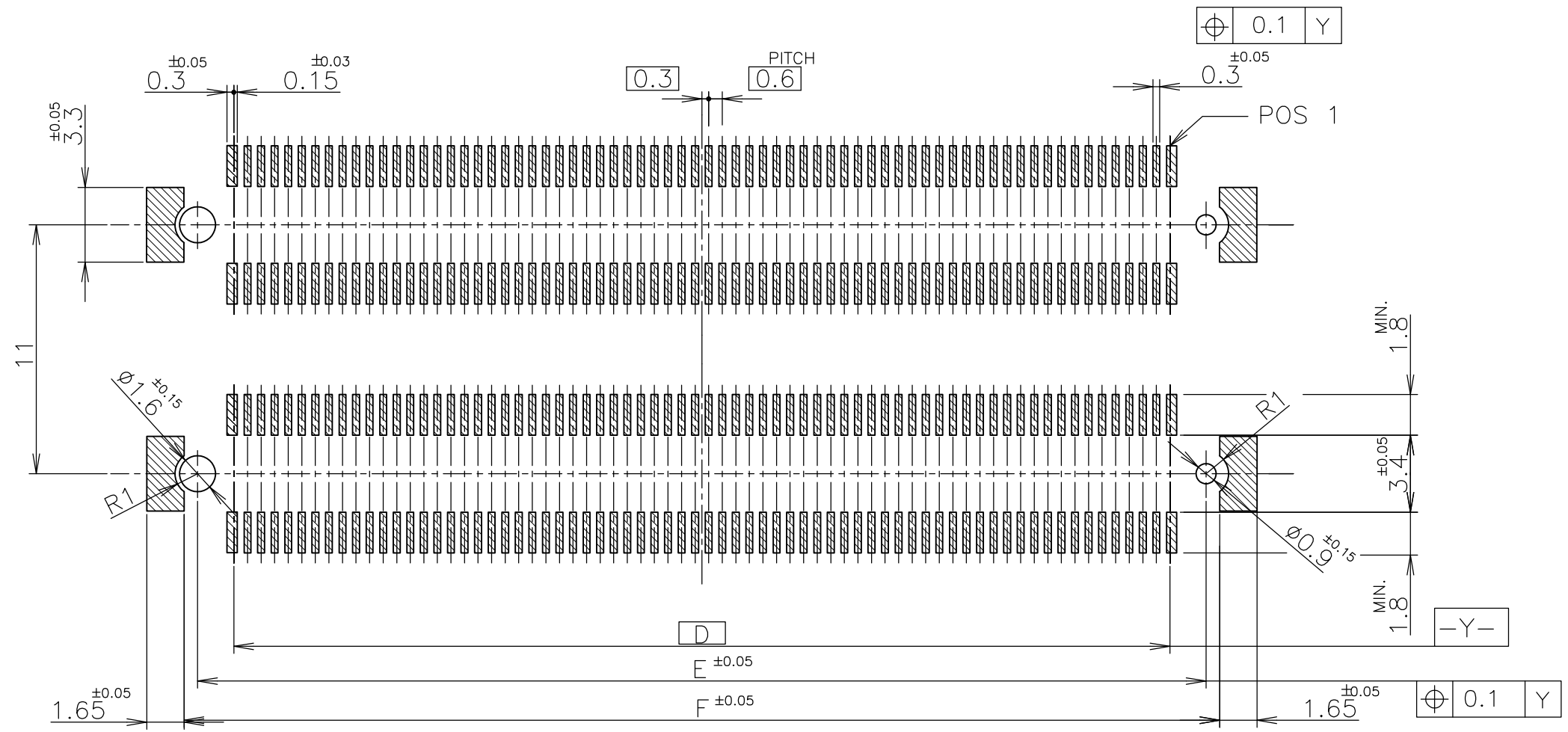
51.8	50.6	47.4	50	54.7	54.7	320
45.8	44.6	41.4	44	48.7	48.7	280
39.8	38.6	35.4	38	42.7	42.7	240
33.8	32.6	29.4	32	36.7	36.7	200
F	E	D	C	B	A	POS

GENERAL TOLERANCE  
 一般公差  
 10 ≥ : ±0.2  
 30 ≥ : >10: ±0.25  
 100 ≥ : >30: ±0.3  
 ANGLES: ±3°

THIS DRAWING IS A CONTROLLED DOCUMENT.		DWN	Tyco Electronics Corporation Kawasaki, Japan			
DIMENSIONS: 単位: 耗 mm		CHK	NAME 名称			
TOLERANCES UNLESS OTHERWISE SPECIFIED: 一般公差		APVD	EMBOSS ASSY FH 0.6BTB CONNECTOR PLUG 8H 2ROW TYPE			
0 PLC ± - 1 PLC ± - 2 PLC ± - 3 PLC ± - 4 PLC ± - ANGLES ± -		PRODUCT SPEC 製品規格	SIZE	CAGE CODE	DRAWING NO 番号	RESTRICTED TO
MATERIAL 材料		APPLICATION SPEC 取付適用規格	A3	00779	G-5353135	
FINISH 仕上		WEIGHT	CUSTOMER DRAWING		SCALE 尺度 2:1	SHEET 2 OF 3
					REV A	

THIS DRAWING IS UNPUBLISHED. RELEASED FOR PUBLICATION JUN , 1996.  
 © COPYRIGHT 1996 BY TYCO ELECTRONICS CORPORATION. ALL RIGHTS RESERVED.

LOC	DIST	REVISIONS 変更		
J		P	LTR	DESCRIPTION
				SEE SHEET 1
		DATE	DWN	APVD



REFERENCE P.C.BOARD LAYOUT

GENERAL TOLERANCE  
一般公差

10 ≥ : ±0.2  
 30 ≥ >10 : ±0.25  
 100 ≥ >30 : ±0.3  
 ANGLES : ±3°

THIS DRAWING IS A CONTROLLED DOCUMENT.		DWN	Tyco Electronics Corporation Kawasaki, Japan	
DIMENSIONS: 単位: 耗 mm	TOLERANCES UNLESS OTHERWISE SPECIFIED: 一般公差	CHK	NAME 名称	
	0 PLC ± -	APVD	EMBOSS ASSY	
	1 PLC ± -	PRODUCT SPEC 製品規格	FH 0.6BTB CONNECTOR	
	2 PLC ± -	APPLICATION SPEC 取付適用規格	PLUG 8H 2ROW TYPE	
	3 PLC ± -	WEIGHT	SIZE	CAGE CODE
MATERIAL 材料	FINISH 仕上		A3	00779
			DRAWING NO 番号	
			G-5353135	
			RESTRICTED TO	
CUSTOMER DRAWING			SCALE 尺度	SHEET
			4:1	3 OF 3
				REV A