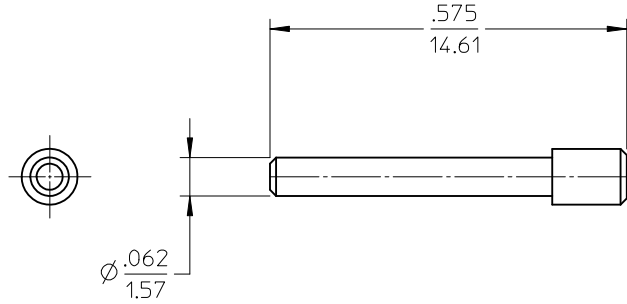
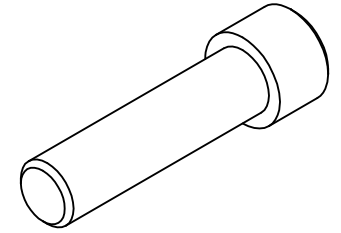
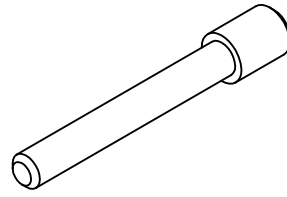
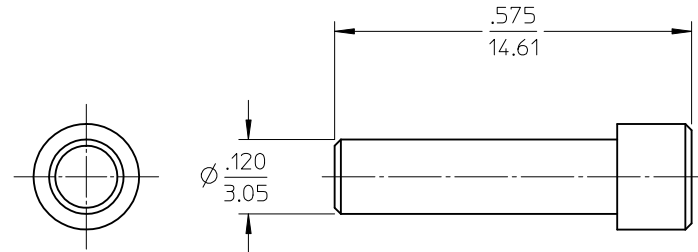


MATERIAL NO.	CONTACT SIZE	COLOR
845090001	20	RED
845090002	12 & 16	NATURAL (WHITE)



MATERIAL NO. 845090001  
CONTACT SIZE 20



MATERIAL NO. 845090002  
CONTACT SIZE 12 & 16

NOTE(S):

1. GENERIC MATERIAL NAME: POLYESTER (PBT)  
COLOR: SEE CHART  
UL FLAMMABILITY RATING: UL94 V-0  
MATERIAL IS ROHS COMPLIANT.
2. FOR USE WITH PLUG AND RECPTACLE ASSEMBLIES  
SERIES: 84501, 84502, 84507, 84508, 84505,  
84506, 84510, 84511 & 84754. ©
3. PART IS BULK PACKAGED IN A MOLEX WORLD WIDE  
CARTON IN QUANTITIES OF 4000. ©

ADDED 84754 SERIES AND QTY. EC NO: WNA2011-0306 DRAWN/CHKD: WLEUNG 2010/12/13 APPR: DJITUS 2011/01/14	QUALITY SYMBOLS	GENERAL TOLERANCES (UNLESS SPECIFIED)		DIMENSION STYLE IN/MM		SCALE 5:1	DESIGN UNITS INCH	THIRD ANGLE PROJECTION	
	▽=0	mm	INCH	DRAWN BY DMYRICK	DATE 2006/6/29	TITLE PLUG, SEALING SIZES 20, 12 & 16			
	▽=0	4 PLACES ± ---	± ---	CHECKED BY JPAWLICKI	DATE 2006/6/29				
		3 PLACES ± ---	± .015	APPROVED BY JPAWLICKI	DATE 2006/6/29	MOLEX INCORPORATED DOCUMENT NO. SD-84509-001		SHEET NO. 1 OF 1	
	2 PLACES ± 0.38	± ---	MATERIAL NO. SEE CHART						
	1 PLACE ± ---	± ---	ANGULAR ± 1 °		THIS DRAWING CONTAINS INFORMATION THAT IS PROPRIETARY TO MOLEX INCORPORATED AND SHOULD NOT BE USED WITHOUT WRITTEN PERMISSION				
DRAFT WHERE APPLICABLE MUST REMAIN WITHIN DIMENSIONS									