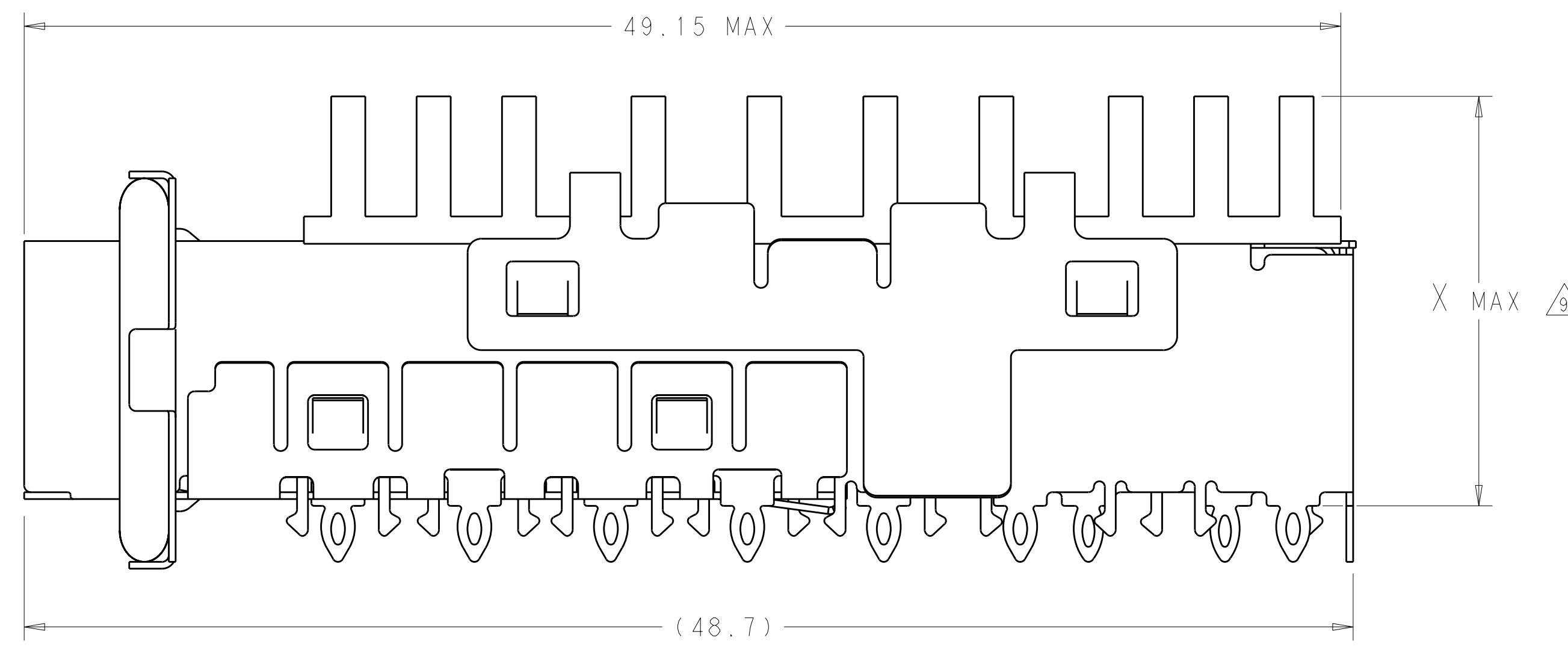
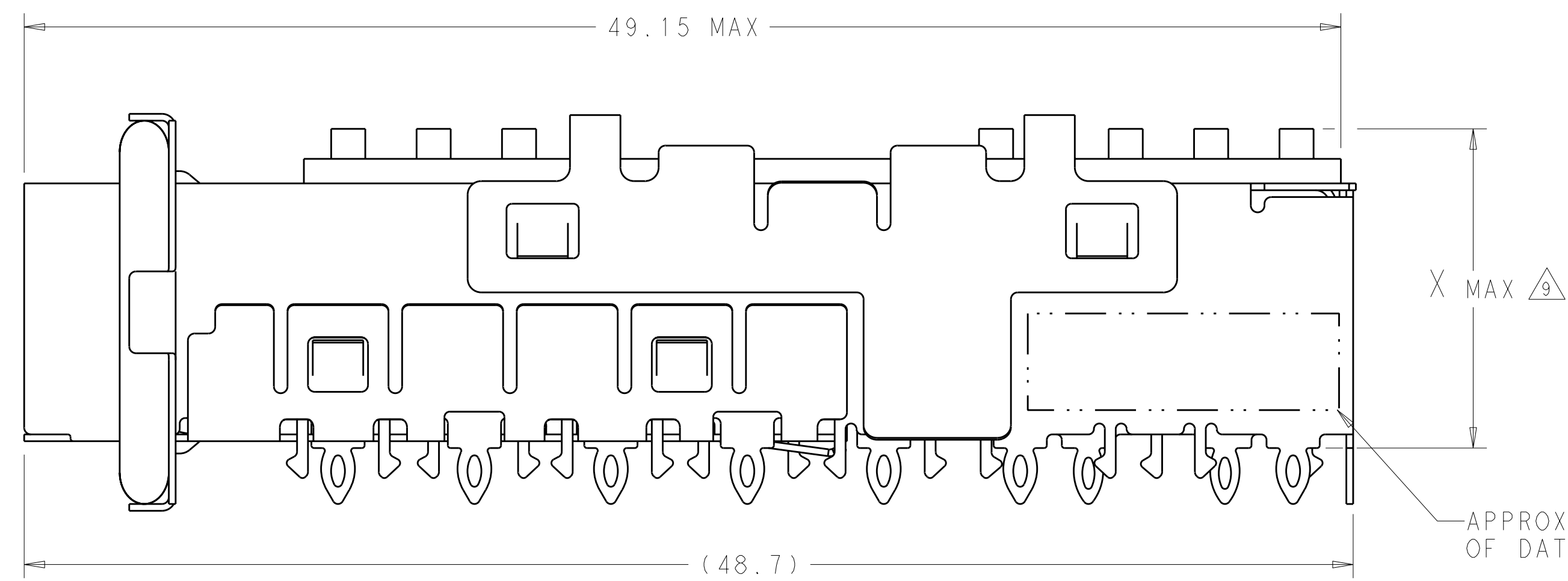
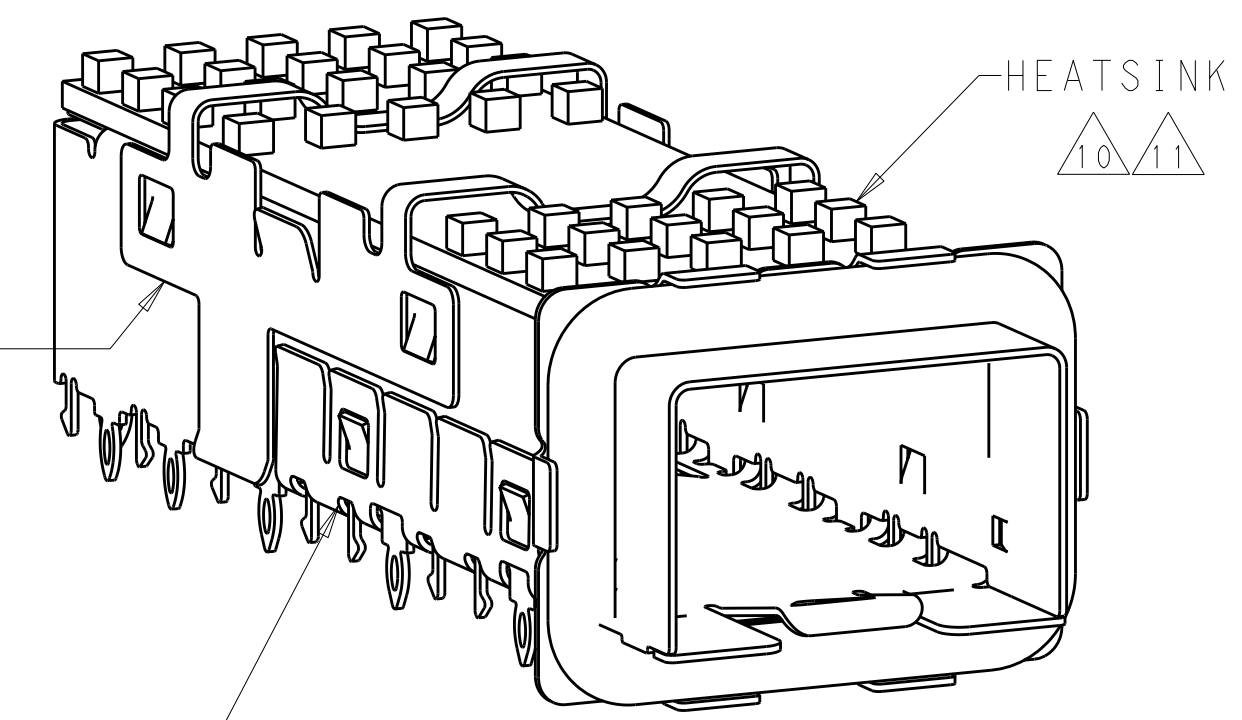


LOC	DIST	REV	DATE	BY	APPD
GP	00	A	10FEB2011	CJV	JTL

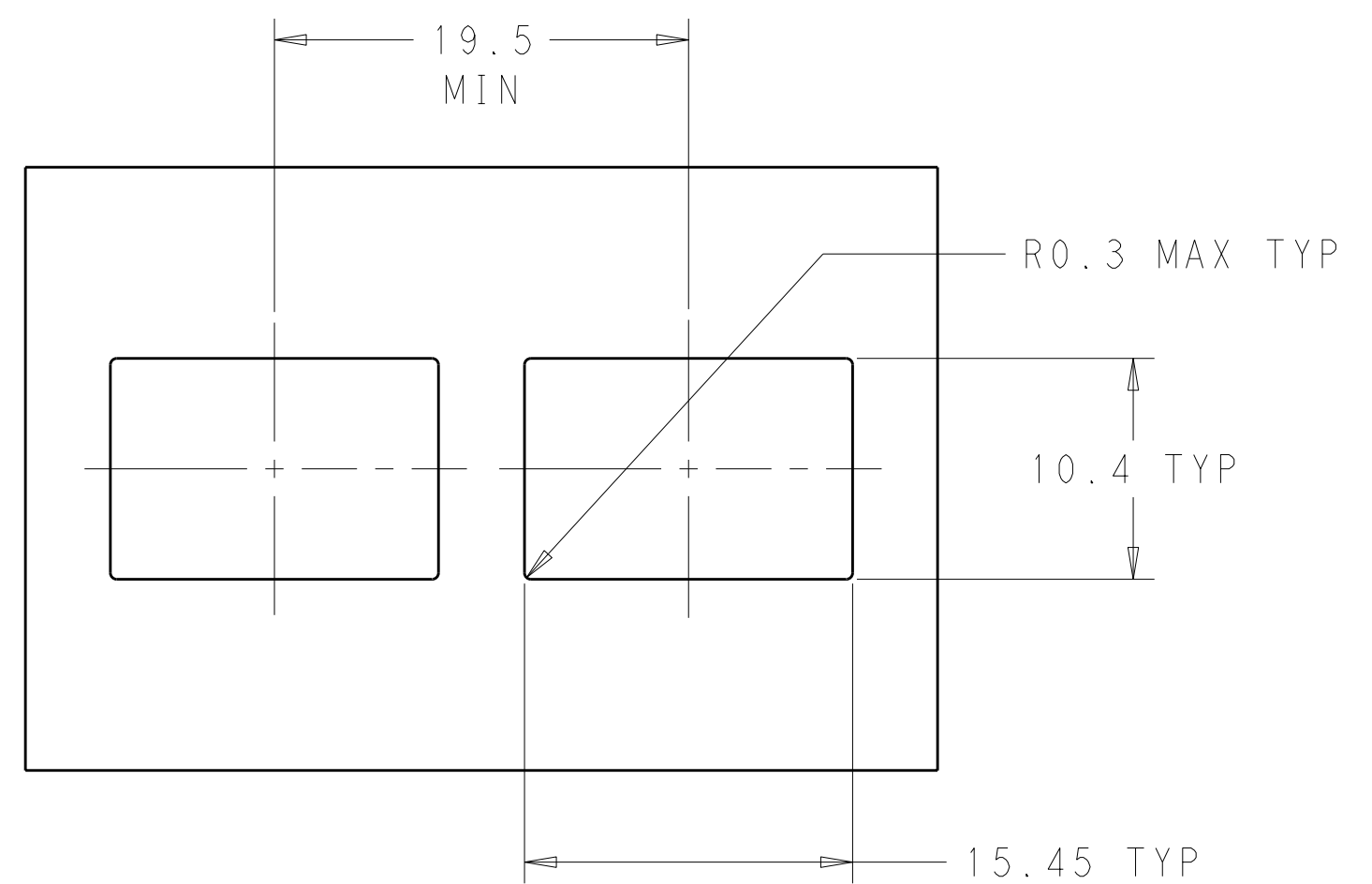
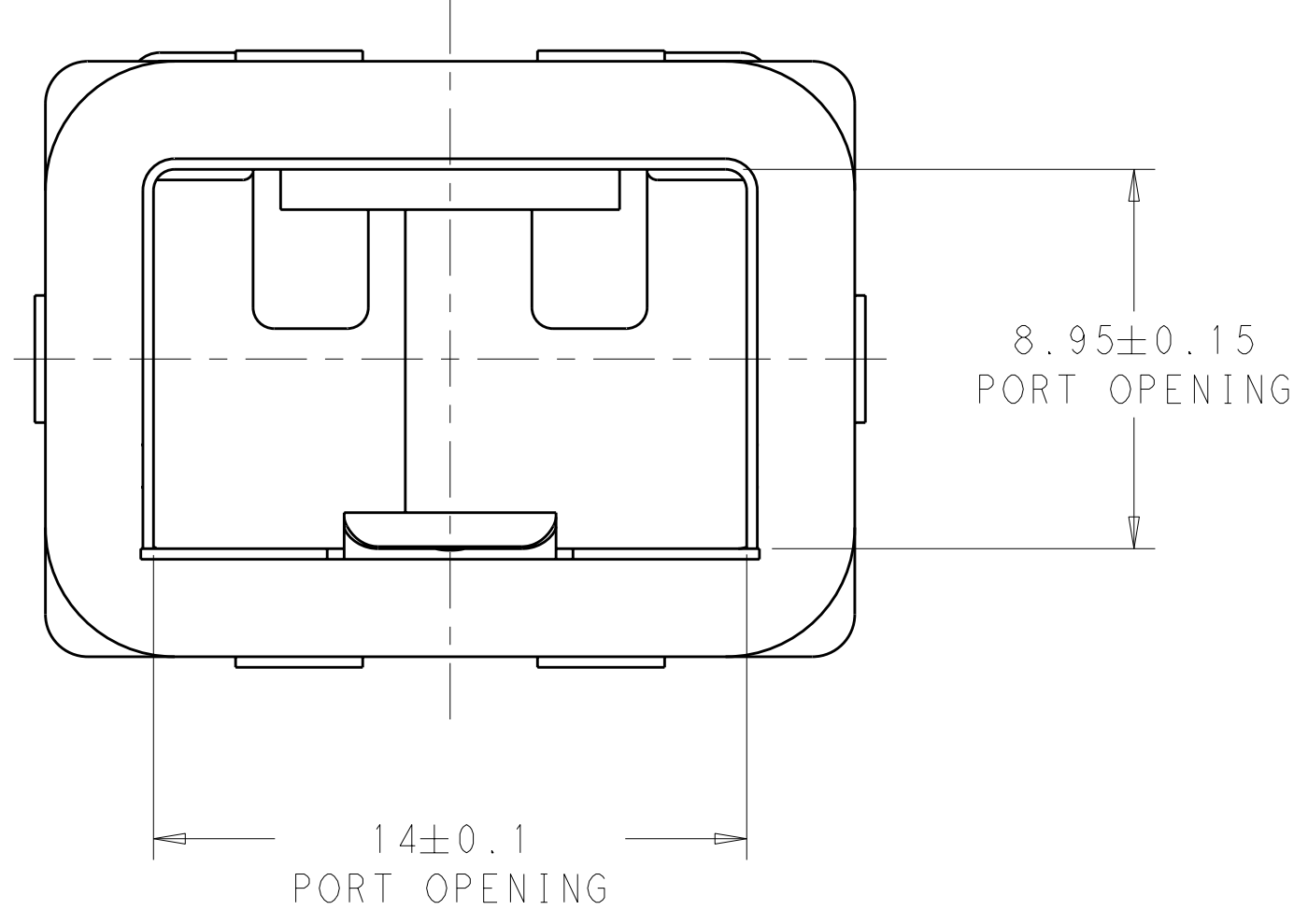
- 1 MATERIAL:
 CAGE ASSEMBLY: 0.25mm THICK NICKEL SILVER ALLOY
 GASKET RETENTION PLATE: STAINLESS STEEL
 EMI GASKET: PLATED FILLED SILICONE
 HEATSINK: ALUMINUM
 HEATSINK CLIP: STAINLESS STEEL
- 2 FINISH:
 HEATSINK: ELECTROLESS NICKEL FOR 2057085-1 THRU -3
 HEATSINK: HARD COAT ANODIZED FOR 2057085-4
 HEATSINK CLIP: PASSIVATE
3. MATES WITH SFP MSA COMPLIANT TRANSCEIVERS.
- 4 PADS AND VIAS CHASSIS GROUND.
- 5 DATUM AND BASIC DIMENSION ESTABLISHED BY CUSTOMER.
- 6 MINIMUM PC BOARD THICKNESS:
 SINGLE SIDED = 1.45
- 7 REFERENCE APPLICATION SPEC. 114-13120, HOLE A, FOR RECOMMENDED DRILL HOLE DIAMETER AND PLATING THICKNESS.
- 8 REFERENCE APPLICATION SPEC. 114-13120, HOLE B, FOR RECOMMENDED DRILL HOLE DIAMETER AND PLATING THICKNESS.
- 9 DIMENSIONS APPLIES PRIOR TO INSERTION OF SFP MODULE.
- 10 HEATSINK CLIP AND HEATSINK SHIPPED UNASSEMBLED TO CAGE ASSEMBLY, CAGE ASSEMBLY TO BE PRESSED INTO THE PCB PRIOR TO ATTACHING THE HEATSINK CLIP AND HEATSINK TO THE CAGE ASSEMBLY.
- 11 HEATSINK REFERENCE PART NUMBERS:
 1829903-2 = 4.2mm HIGH - PCI.
 1829904-2 = 6.5mm HIGH - SAN
 1829905-2 = 13.5mm HIGH - NETWORKING, ELECTROLESS NICKEL
 1829905-4 = 13.5mm HIGH - NETWORKING, HARD COAT ANODIZED
 1963832-2 = 3.2mm HIGH - BLADE



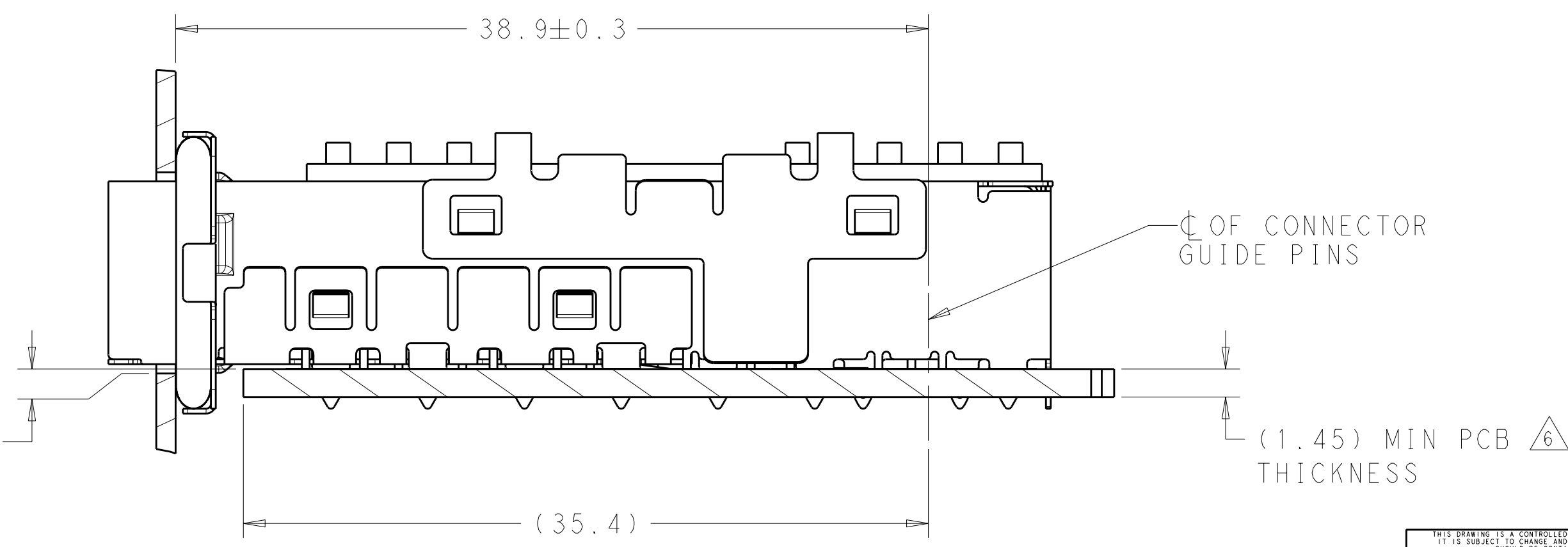
2057085-2 THRU -5
 RIGHT SIDE VIEW



2057085-1
 RIGHT SIDE VIEW



RECOMMENDED BEZEL CUT-OUT
 SCALE 3:1

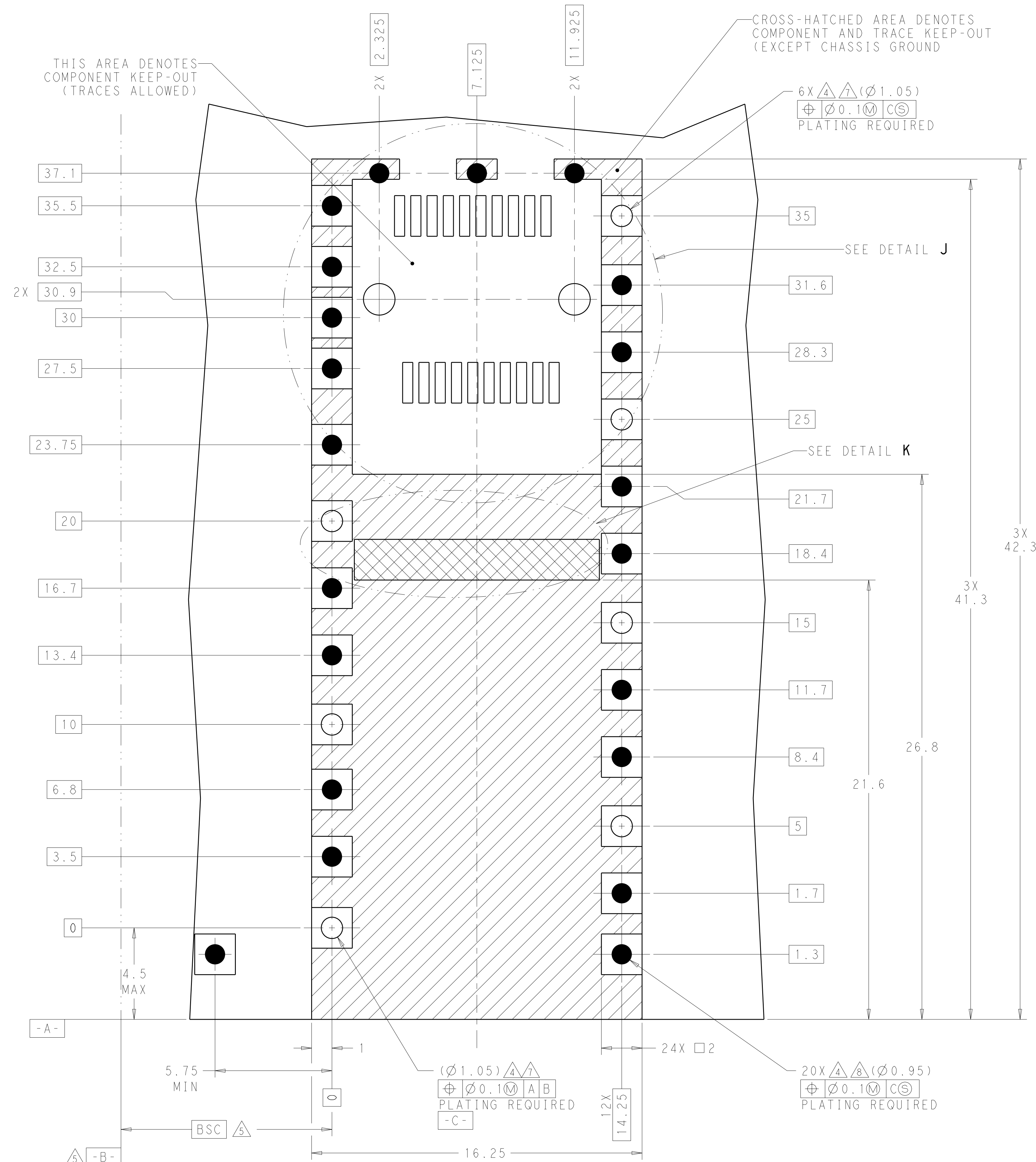


2057085-1
 MOUNTED ON PCB
 SHOWN THRU RECOMMENDED BEZEL
 SCALE 4:1

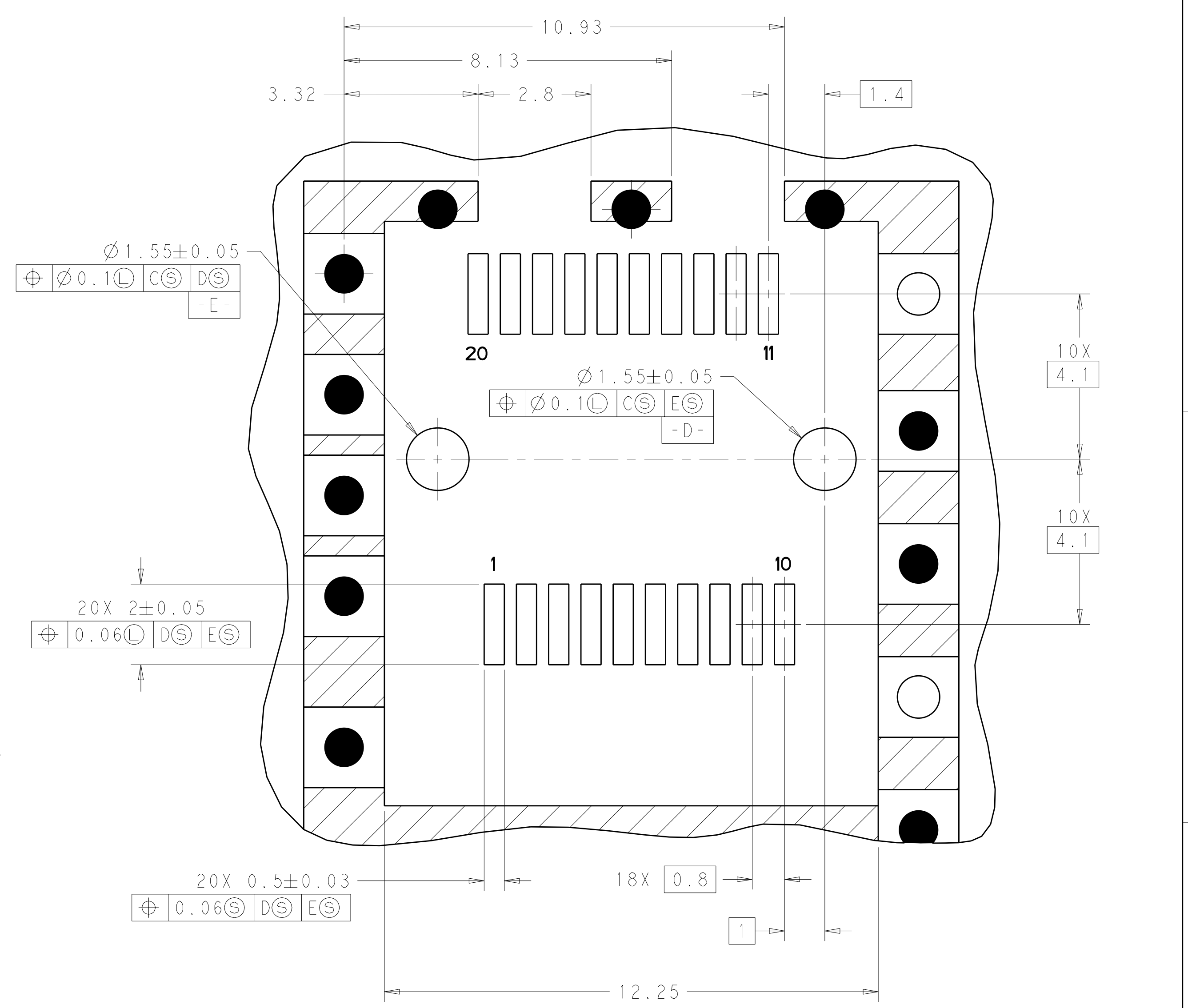
APPLICATION	SIZE	CAGE CODE	DRAWING NO	RESTRICTED TO
PCI	13.5		2057085-5	
NETWORKING, HARD COAT ANODIZED	22.8		2057085-4	
NETWORKING, ELECTROLESS NICKEL	22.8		2057085-3	
SAN	15.8		2057085-2	
BLADE	12.5		2057085-1	
APPLICATION	X		PART NUMBER	

DIMENSIONS: mm 		TOLERANCES UNLESS OTHERWISE SPECIFIED: 9 PLC ±0.1 1 PLC ±0.1 2 PLC ±0.1 3 PLC ±0.1 4 PLC ±0.05 ANGLES ±0.05		DWN Z.M. BEAM 22APR2008 CHK M.R. SCHMITT 22APR2008 APVD R.H. WERTZ 22APR2008		Tyco Electronics Harrisburg, PA 17105-3608	
MATERIAL:		FINISH:		NAME: SFP+ ENHANCED CAGE ASSEMBLY PRESS FIT, EMI GASKET, W/ HEAT SINK		SIZE: A 00779 C=2057085	
CUSTOMER DRAWING				SCALE: 6:1		SHEET 1 OF 2 REV A	

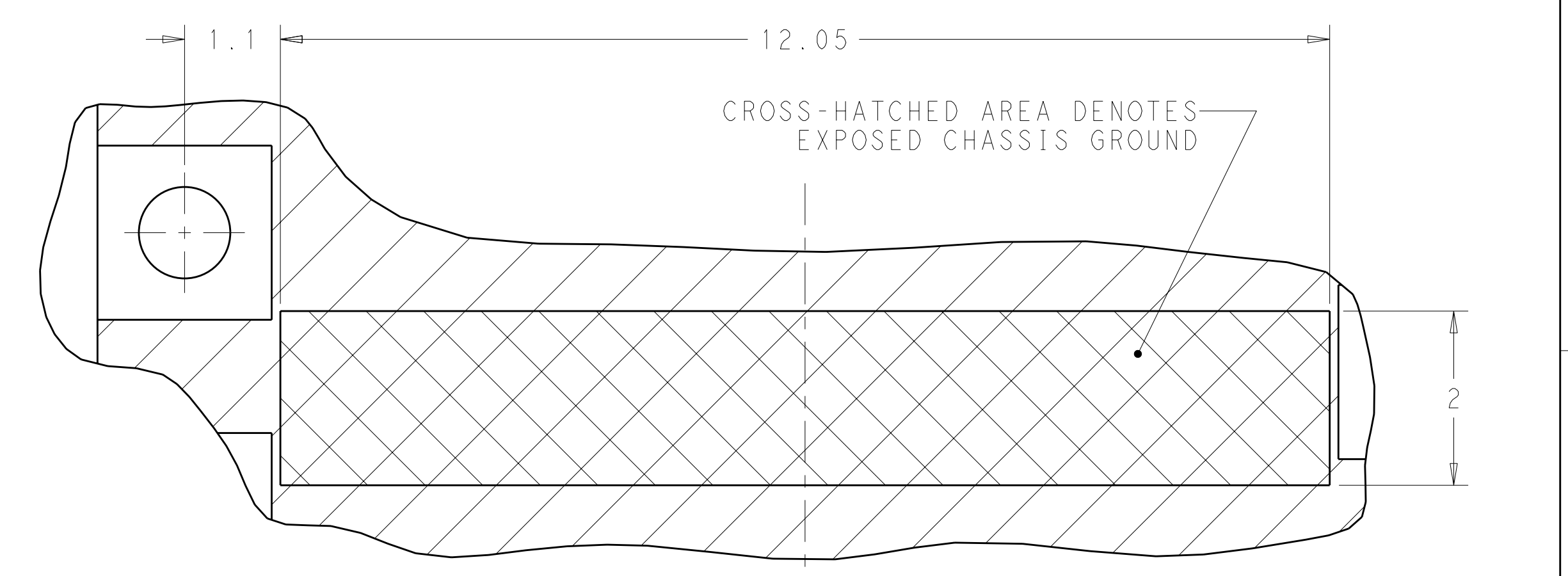
LOC	DIST	REV	DATE	BY	APPD
GP	00				
REVISIONS			DATE	BY	APPD
DESCRIPTION					
SEE SHEET 1					



RECOMMENDED PCB CONFIGURATION WITH KEEP-OUT AREAS SINGLE SIDED APPLICATIONS \triangle SCALE 9:1



DETAIL J RECOMMENDED PT CONNECTOR LAYOUT SCALE 12:1



DETAIL K SCALE 18:1

DIMENSIONS:		TOLERANCES UNLESS OTHERWISE SPECIFIED:		DWN 22APR2008		Tyco Electronics	
mm	9 PLC \pm 0.1	1 PLC \pm 0.1	2 PLC \pm 0.1	3 PLC \pm 0.1	4 PLC \pm 0.05	5 PLC \pm 0.05	114-13120
	9 ANGLE \pm 0.05	10 ANGLE \pm 0.05	11 ANGLE \pm 0.05	12 ANGLE \pm 0.05	13 ANGLE \pm 0.05	14 ANGLE \pm 0.05	15 ANGLE \pm 0.05
MATERIAL:	FINISH:	WEIGHT:	CUSTOMER DRAWING	SCALE 6:1	SHEET 2 OF 2	REV A	
NAME: SFP+ ENHANCED CAGE ASSEMBLY PRESS FIT, EMI GASKET, W/ HEAT SINK		CAGE CODE: A100779		DRAWING NO: C-2057085		RESTRICTED TO:	