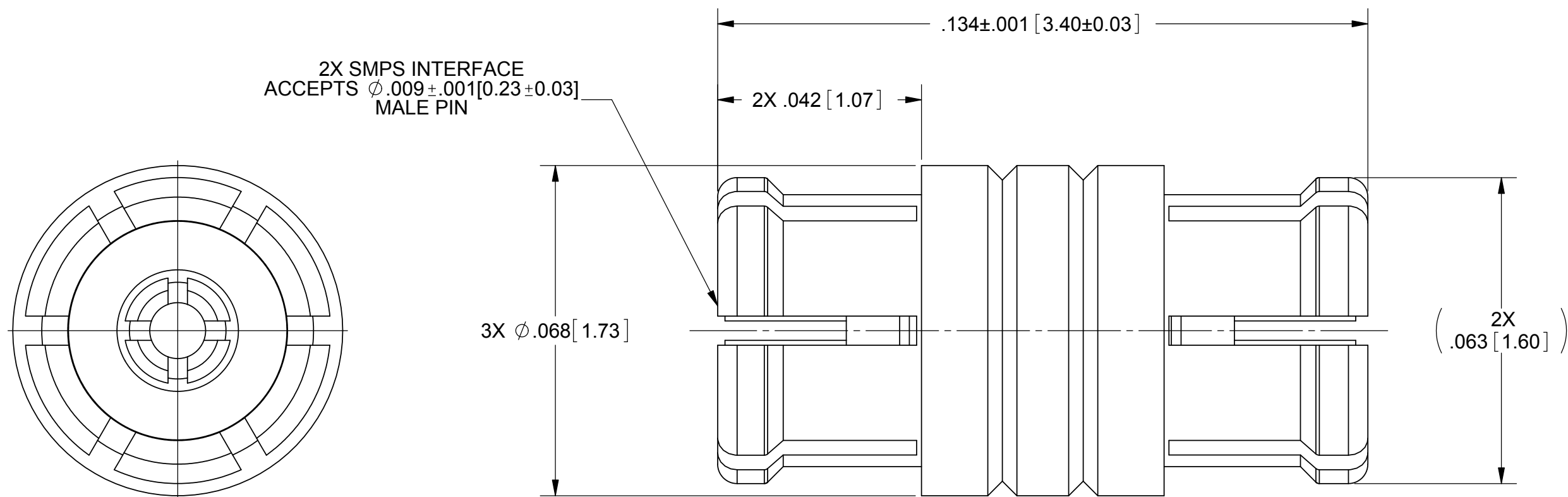


# PRODUCT DATA DRAWING

REVISION HISTORY			
REV	DESCRIPTION	DATE	APPROVED
-	DCN 38040	02/11	STW
A	DCN 38738	12/11	STW
B	DCN 39509	11/12	STW



**MATERIAL:**

BODY, & CONTACT: BERYLLIUM COPPER PER ASTM B196, ALLOY No. UNS C17300, TD04

INSULATOR: PTFE PER ASTM D1710, TYPE I, GRADE 1, CLASS B

**FINISH:**

BODY & CONTACT: GOLD PER ASTM B 488, TYPE II, CODE C, CLASS 1.27, OVER NICKEL PER AMS-QQ-N-290, CLASS 1, .00005" MIN.

**PERFORMANCE:**

IMPEDANCE: 50 OHMS  
 VSWR: 1.15:1 DC TO 40 GHz TYPICAL  
 1.25:1 TO 65 GHz TYPICAL  
 INSERTION LOSS: .12 X SQRT(F(F IN GHz))  
 DWV: 250 VRMS  
 OPERATING TEMP.: -55°C TO +165°C

ENGAGEMENT: 3.5 LBS TYPICAL IN FULL DETENT  
 1.6 LBS TYPICAL IN SMOOTH BORE  
 DISENGAGEMENT: 2.0 LBS TYPICAL IN FULL DETENT  
 0.5 LBS TYPICAL IN SMOOTH BORE

MATERIAL: SEE NOTES	DIMENSIONS ARE IN INCHES TOLERANCES: FRACTIONAL: ±1/64 ANGULAR: X° ±1'0" X°X' ±15'	UNLESS OTHERWISE SPECIFIED	<b>SV Microwave, Inc.</b> 2400 Centrepark West Drive, Suite 100 West Palm Beach, FL 33409 TITLE: <b>SMPS FEMALE TO FEMALE STRAIGHT ADAPTER</b>
FINISH: SEE NOTES	DECIMAL: X ±.030 .XX ±.010 .XXX ±.005	1) ALL DIMENSIONS ARE IN INCHES (MILLIMETERS) 2) ALL DIMENSIONS ARE AFTER PLATING. 3) BREAK CORNERS & EDGES .005 R. MAX. 4) CHAM. 1ST & LAST THREADS. 5) SURFACE ROUGHNESS 63-MIL-STD-10. 6) DIA. 'S ON COMMON CENTERS TO BE CONCENTRIC WITHIN .005 T.I.R. 7) REMOVE ALL BURRS	
SURFACE AREA: N/A	INTERPRET DIMENSIONS AND TOLERANCES PER ASME Y14.5M - 1994	THIRD ANGLE PROJECTION	DWG. NO. <b>1138-4003</b> SIZE <b>B</b> CAGE CODE <b>95077</b>
PROPRIETARY THE INFORMATION CONTAINED IN THIS DRAWING IS THE SOLE PROPERTY OF SV MICROWAVE, INC. ANY REPRODUCTION IN PART OR AS A WHOLE WITHOUT THE WRITTEN PERMISSION OF SV MICROWAVE, INC IS PROHIBITED.	DRAWN: FED 02/28/11 CHECKED: STW 02/28/11 APPROVED: STW 02/28/11	SCALE: 40:1	SHEET 1 OF 1