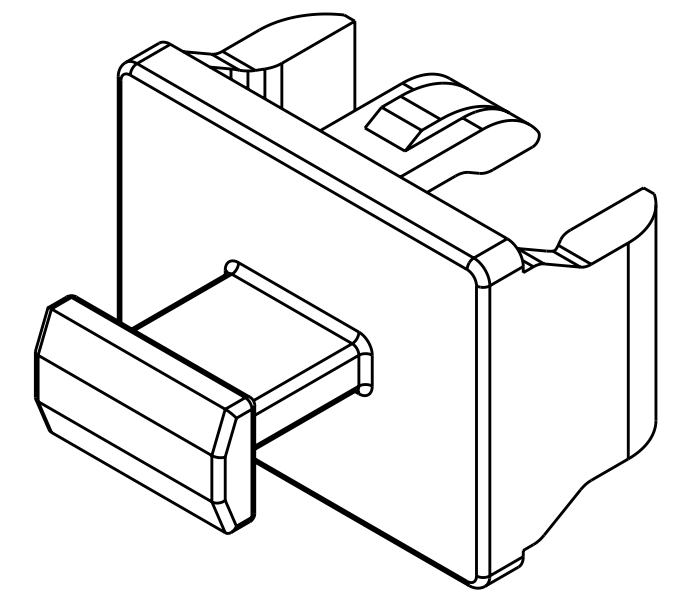
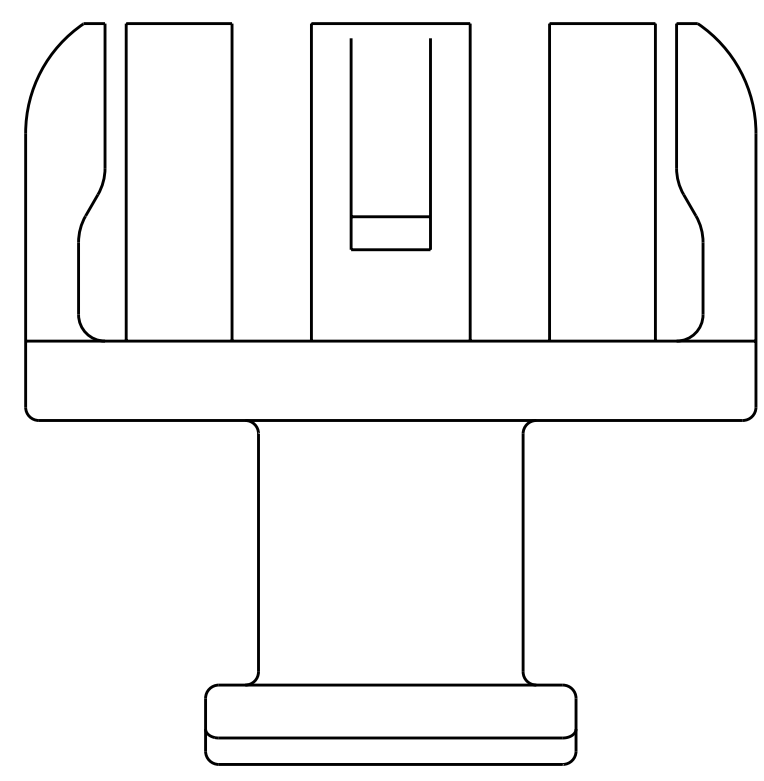


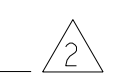
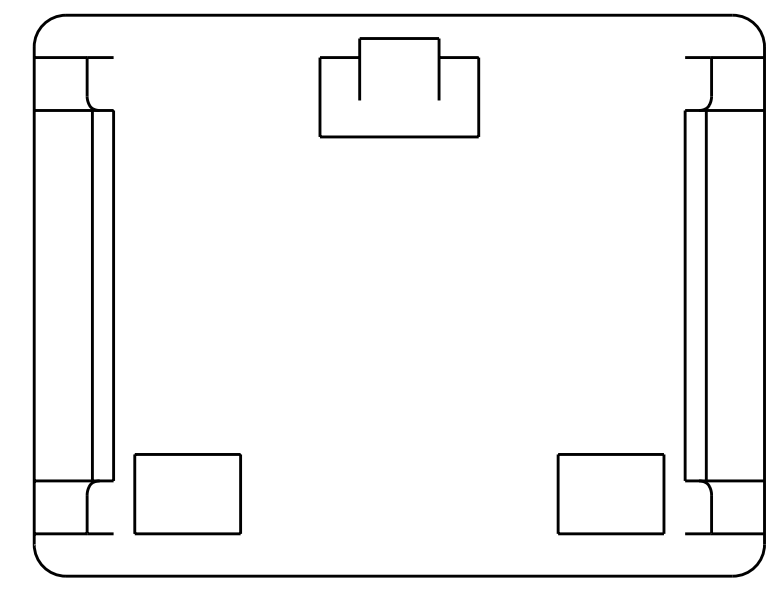
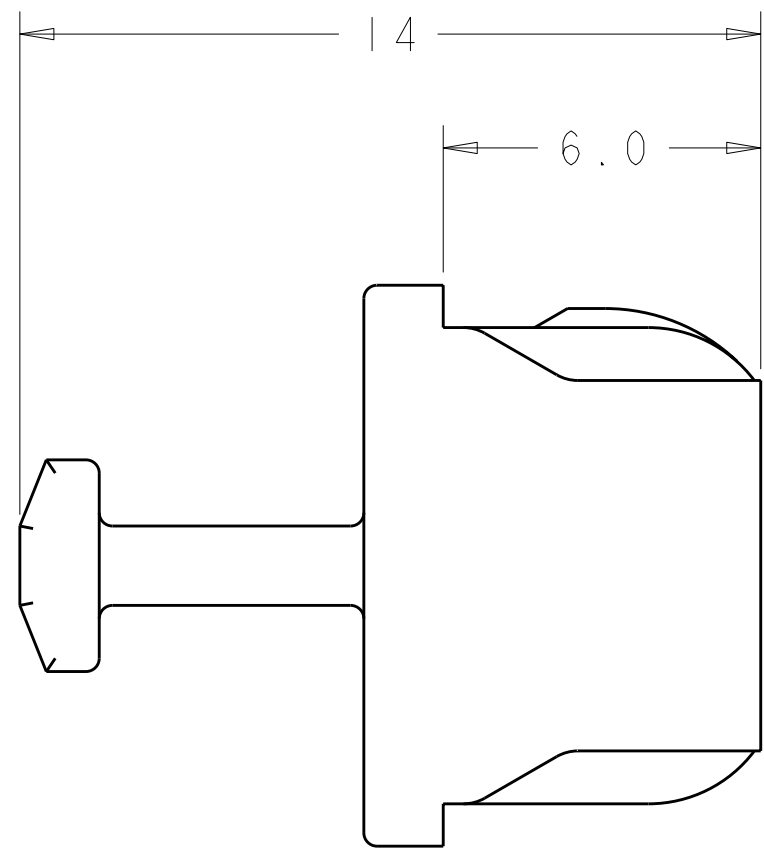
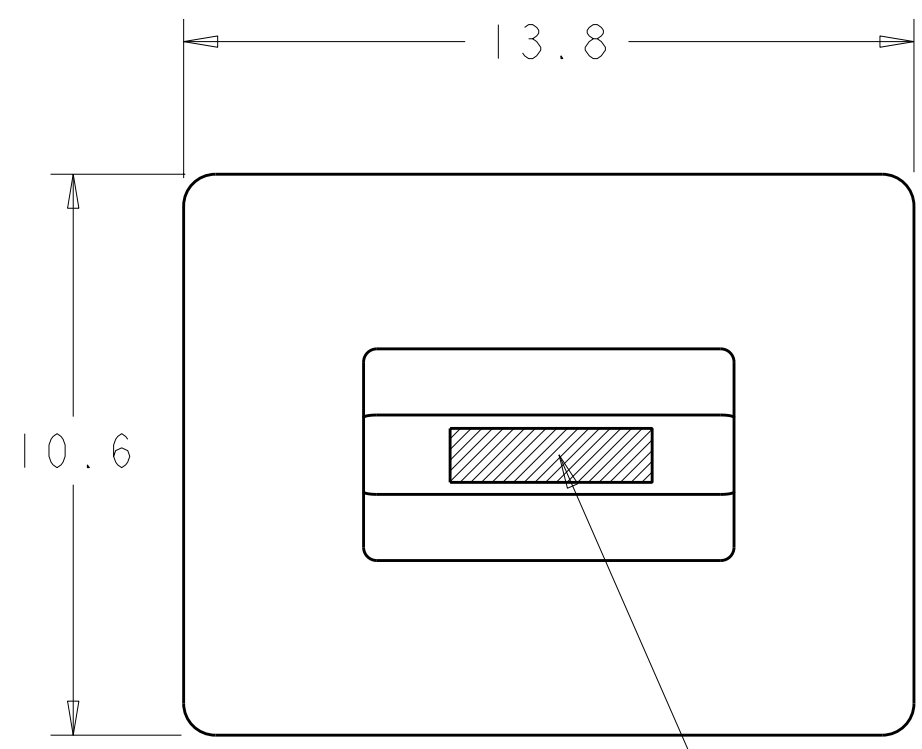
THIS DRAWING IS UNPUBLISHED. RELEASED FOR PUBLICATION 20
 © COPYRIGHT 20 TE Connectivity ALL RIGHTS RESERVED.

LOC	DIST	REVISIONS					
GP	00	P	LTR	DESCRIPTION	DATE	DWN	APVD
			C	REVISED PER ECR-11-016645	11AUG2011	KS	MQ.W



SCALE 5:1

- ① THERMOPLASTIC MOLDING COMPOUND.
- ② COMPANY LOGO IN APPROXIMATE AREA SHOWN.



1761394-1
 PART NUMBER

THIS DRAWING IS A CONTROLLED DOCUMENT.		DWN J. GERACE 15 JUL 04	TE Connectivity	
DIMENSIONS: mm		CHK J. KOPPENHEFFER 30 SPR 05		
TOLERANCES UNLESS OTHERWISE SPECIFIED:		APVD M. WALMSLEY 30 APR 05	NAME DUST COVER, GANGED AND STACKED, SFP	
0 PLC ± 1 PLC ±0.2 2 PLC ± 3 PLC ± 4 PLC ± ANGLES ± FINISH		PRODUCT SPEC -	SIZE A200779	DRAWING NO C-1761394
MATERIAL ① -		APPLICATION SPEC -	RESTRICTED TO -	SCALE 7:1
		WEIGHT -	SHEET 1	OF 1
		CUSTOMER DRAWING	REV C	