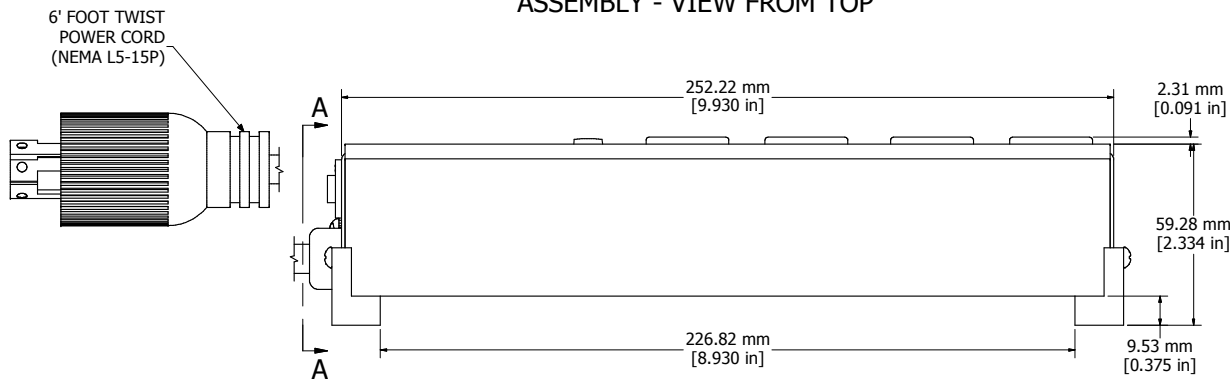
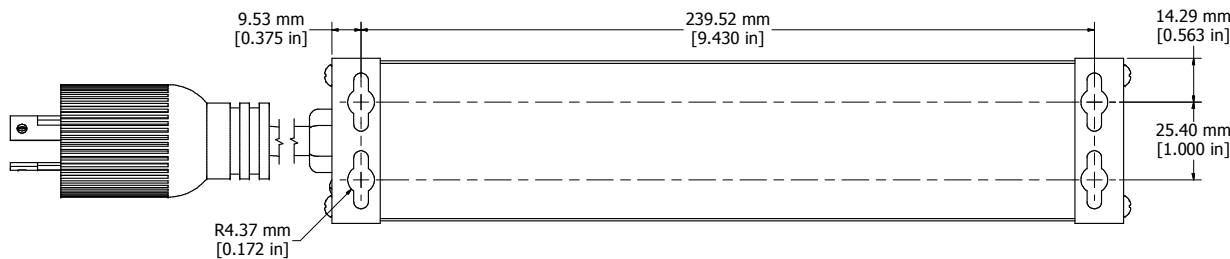


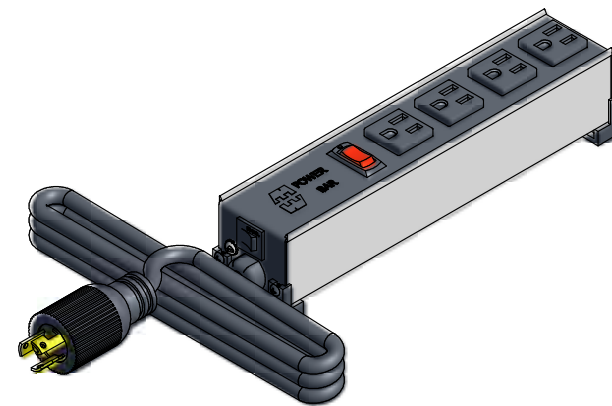
ASSEMBLY - VIEW FROM TOP



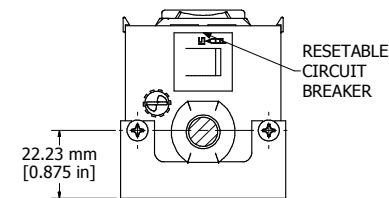
ASSEMBLY - VIEW FROM SIDE



ASSEMBLY - VIEW FROM BOTTOM



ISOMETRIC VIEW



SECTION A-A

<b>1584H4**</b>
Finish - Top - Black Painted Steel
Bottom - Aluminum Extrusion
Rated - 120 VAC, 60 Hz, 15 Amps
Approvals - CSA Certified Standards C22.2 (No. 21-95, 42-99)
- UL Listed, Standard UL1363
<b>Cord Length</b>
1584H4C1 - 6' Foot Twist Power Cord (NEMA L5-15P)
1584H4D1 - 15' Foot Twist Power Cord (NEMA L5-15P)

