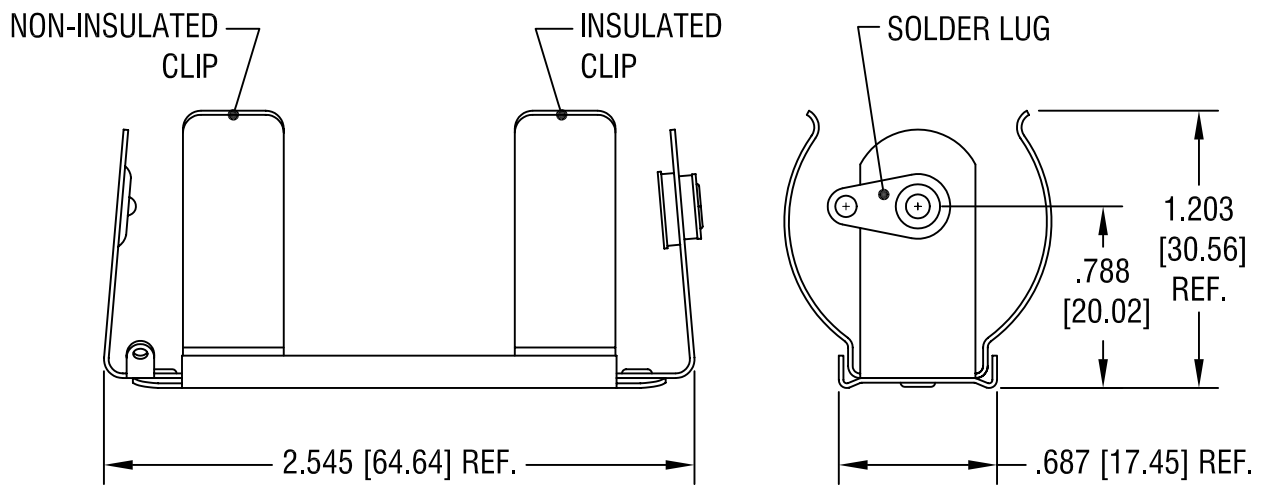
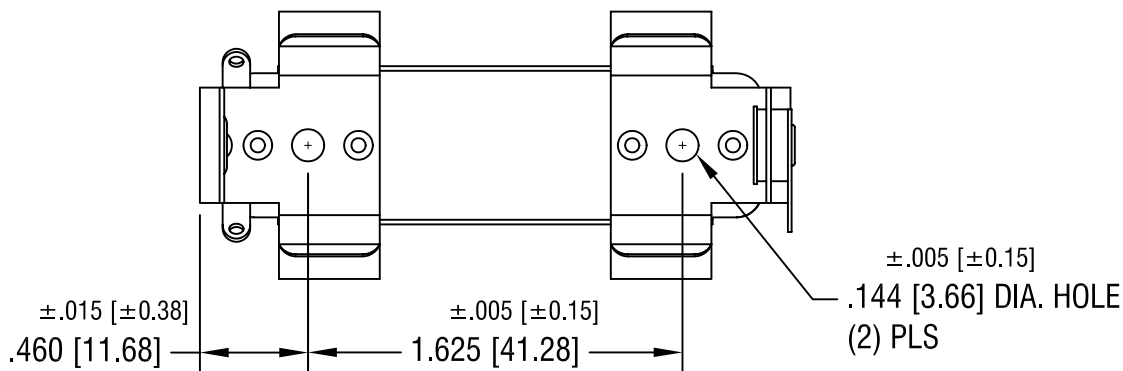


THIS DOCUMENT IS THE PROPERTY OF  
KEYSTONE ELECTRONICS CORP. AND  
SHALL NOT BE REPRODUCED, DISTRIBUTED  
OR USED AS A BASIS FOR MANUFACTURE  
WITHOUT PRIOR WRITTEN PERMISSION  
FROM KEYSTONE ELECTRONICS CORP.



NOTES:

- 1. BASE: MAT'L - STAINLESS STEEL
- CLIP: MAT'L - SPRING STEEL  
FINISH - NICKEL PLATE
- LUG: MAT'L - BRASS  
FINISH - TIN PLATE

<b>KEYSTONE ELECTRONICS CORP.</b>			
ASTORIA, N.Y. 11105-2017			
PART NAME			
NON-INSULATED BATTERY HOLDER (1) 'D'			
MATERIAL			
AS NOTED			
FINISH		DRN BY	DATE
AS NOTED		BOONE	10.10.02
		APPD	SCALE
		LN	1.2X
TOLERANCES	INCH	[MM]	CODE
DECIMAL	$\pm .010$	[ $\pm 0.25$ ]	C
ANGULAR	$\pm 1^\circ$		
UNLESS OTHERWISE SPECIFIED			DWG NO.
			<b>1175</b>

DATE	DESCRIPTION	REV.